



Tubificio del Friuli s.r.l.



Tubificio del Friuli s.r.l.

**CATALOGO
Generale**

**General
CATALOGUE**

HAUPTKALOG

CATALOGUE





TIPOLOGIE MATERIA PRIMA • KIND OF RAW MATERIALS GÜTEN • CARACTERISTIQUE MATIERE PREMIERE

Tubi saldati ricavati da nastro laminato a freddo in accordo alle norme

Welded tubes by cold rolled-steel strip according to

Geschweißte Rohre aus Kaltband gemäß

Tubes soudées feuillard a froid selon les normes

UNI EN 10130	DIN 1623	NFA 36-041	BS 1449
DC01	St12	C	CR4
DC03	St13	E	CR3
DC04	St14	ES	CR2
DC05	----	----	----
DC06	----	----	----

Tubi saldati ricavati da nastro zincato in accordo alle norme

Welded tubes by zinc coated steel strip according to

Geschweißte Rohre aus verzinktem Band gemäß

Tubes soudées feuillard zingué selon les normes

UNI EN 10142	DIN 17162	NFA 36-321	BS 2989
DX51D	St01Z	GC	Z1
DX52D	St02Z	GF	Z2
DX53D	St03Z	GES	Z3
DX54D	St04Z	----	Z4

**TIPOLOGIE MATERIA PRIMA • KIND OF RAW MATERIALS
GÜTEN • CARACTERISTIQUE MATIERE PREMIERE**

Tubi saldati ricavati da nastro laminato a caldo decapato in accordo alle norme
Hot rolled welded tubes by pickled steel strip according to
Geschweißte Rohre aus gebeiztem Warmband gemäß
Tubes soudées feuillard a chaud selon les normes

UNI EN 10025	DIN 17100	NFA 35-501	BS 4360
S235.R	St 37-2	E24-2	40B
S235.0	St 37 - 3 U	E 24-3	40C
S235.2G3	St 37 - 3 N	E24-4	40D
EN 10111	DIN 1614	NFA 36-301	BS 1449
DD11	StW22	1C	HR3
DD12	RRStW23	----	----
DD13	StW24	3C	HR1
DD14	----	3CT	----

Tubi saldati ricavati da nastro laminato a caldo ad alto limite di snervamento in accordo alle norme
Hot-rolled welded tubes made of high yield strenght steels for cold forming according to
Geschweißte Rohre aus warmgewalztem Feikornstahl gemäß
Tubes soudées feuillard a chaud à haut limite d'élasticité selon les normes

EN 10149	SEW 092	NFA 36-231	BS
S315MC	QStE 300 TM	E315 D	43F35
S355MC	QStE 360 TM	E355 D	46F40
S420MC	QStE 420 TM	E420 D	50F45
S460MC	QStE 460 TM	E355 D	----
S500MC	QStE 500 TM	----	----

Tubi saldati ricavati da nastro microlegato laminato a freddo ad alto limite di snervamento in accordo alla norma
Cold rolled welded tubes made of a high yield strenght micro-alloyed steels for cold forming according to
Geschweißte Rohre aus Kaltgewalztem Feikornstahl gemäß
Tubes soudées feuillard a froid très alliés à haut limite d'élasticité selon les normes

EN 10149	L'elenco ha titolo esemplificativo. Le tipologie riportate riguardano le materie prime di base. This is just an exemplifying list. The reported kind of products applies to the basic raw materials. Dieses Verzeichnis dient nur als Beispiel. Es handelt sich um Grundgütern. La liste est simplement indicative. Les typologies mentionnées se referent aux matières première de base.
H 240 LA	
H 280 LA	
H 320 LA	
H 360 LA	
H 400 LA	



CARATTERISTICHE DEL PRODOTTO FINITO

I tubi sono formati a freddo, saldati ad alta frequenza e sverniciati esternamente.

TOLLERANZE

	Minimo [mm]	Massimo [mm]
Diametro esterno	+/- 0,12	+/- 0,43
Ovalizzazione	Entro la tolleranza del diametro esterno	
Spessore	+/- 0,15	+/- 0,35
Lunghezza	+3/0	+20/0
Raffinezza	0,002 x L	0,003 x L

FINITURA SUPERFICIALE

Da nastro laminato a caldo decapato

Da nastro laminato a freddo

Da nastro rivestito secondo condizioni prestabilite

I tubi devono presentare superficie esterna liscia, esente da cordoni di saldatura.

Sono ammessi difetti superficiali inerenti al processo di produzione.

ad ai materiali utilizzati (se non diversamente indicato).

END PRODUCT SPECIFICATIONS

High frequency welded tubes are obtained by cold-rolling process and externally descaled.

ALLOWANCES

	Minimum [mm]	Maximum [mm]
External diameter	+/- 0,12	+/- 0,43
Ovaling	Within the allowance of the external diameter	
Thickness	+/- 0,15	+/- 0,35
Length	+3/0	+20/0
Straightness	0,002 x L	0,003 x L

FINISH SURFACE

By pickled hot rolled strip

By cold-rolled strip

By covered rolled strip according to the prestablished conditions

Tubes must show a smooth external surface, with no welding sea.

Faults on the surface due to the production process

or to the raw material are allowed respecting diameter dispositions.

MERKMALE DES ENDPRODUKTS

Kaltgewalzte hochfrequenzgeschweißte Röhren, außen glatt gerollt

TOLERANZEN

	Min [mm]	Max [mm]
Außendurchmesser	+/- 0,12	+/- 0,43
Ovalisierung	Toleranzhöhe des Außendurchmessers	
Wandstärke	+/- 0,15	+/- 0,35
Länge	+3/0	+20/0
Geradheit	0,002 x L	0,003 x L

OBERFLÄCHENBESCHAFFENHEIT

Aus gebeiztem Warmband

Aus Kaltband

Aus beschichteten Band laut Vorgaben

Die Röhren weisen eine glatte Oberfläche ohne Rostspuren auf.

Eventuelle Oberflächenfehler sind (bis auf abweichende Angaben) produktionstechnisch bedingt.

CARACTERISTIQUES TECHNIQUES

Tubes en acier, soudés haute fréquence et collés

TOLERANCES

	Minimum [mm]	Maximum [mm]
Diamètre extérieur	+/- 0,12	+/- 0,43
Ovalisation	selon les tolérances du diamètre extérieur	
Épaisseur	+/- 0,15	+/- 0,35
Longueur	+3/0	+20/0
débat de serrage	0,002 x L	0,003 x L

FINITION DE SURFACE

Tubes soudés feuillard à chaud

Tubes soudés feuillard à froid

Tubes soudés feuillard selon des conditions particulières

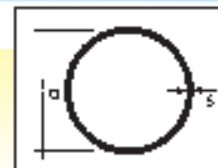
Les tubes doivent présenter une finition de surface extérieure lisse.

On accepte des petits défauts de surface extérieure qui peuvent se rencontrer dans les procès de production et dans la matière première. Sauf indication contraire.

Lista Profili

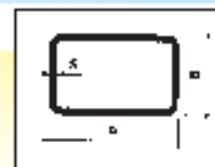
Profillo	Dimensione esterna (mm)	Profillo	Dimensione esterna (mm)	Profillo	Dimensione esterna (mm)	Profillo	Dimensione esterna (mm)	
TONDI	8,0	RETTANG.	15 x 10	QUADRI	10 x 10	OTTAGONI	30 x 19	
	9,5		20 x 10		12 x 12		35 x 20	
	10,0		20 x 15		13 x 13	SEMIOTALI	40 x 20	
	12,0		25 x 10		14 x 14		40 x 25	
	13,0		25 x 15		15 x 15		40 x 30	
	14,0		25 x 20		16 x 16		48 x 35	
	15,0		30 x 10		18 x 18		50 x 25	
	16,0		30 x 15		20 x 20		SPECIALI	Prof 01
	17,0		30 x 20		22 x 22	Prof 02		OVALE ZIGRINATO
	18,0		30 x 25		25 x 25	Prof 03		QUADRO R6
	19,0		35 x 10		28 x 28	Prof 04		PROF. SPECIALE H1
	20,0		35 x 15		30 x 30	Prof 05		PROFILO SERRA 51 X 51
	22,0		35 x 20		35 x 35	Prof 06		R.P. 202
	23,5		35 x 25		40 x 40	Prof 07		PROF. SPECIALE 60 X 40
	24,0		35 x 30		45 x 45	Prof 08		PROF. SPECIALE 56 X 40
	24,8		40 x 10	50 x 50	Prof 09	SAGOMATO 50 X 40		
	25,0		40 x 15	60 x 60	Prof 10	PROF. SPECIALE 40 X 40		
	25,4		40 x 20	ELITTICI	30 x 15			
	26,0		40 x 25		30 x 22			
	27,0		40 x 30		40 x 20			
	28,0		40 x 35		50 x 25			
	28,6		45 x 15		OVALI	20 x 20		
	30,0		45 x 20	25 x 10				
	32,0		45 x 25	22 x 15				
	33,0		45 x 30	25 x 15				
	34,0		45 x 35	30 x 15				
	35,0		50 x 10	30 x 20				
	37,0		50 x 15	35 x 15				
	38,0		50 x 20	35 x 20				
	40,0		50 x 25	36 x 18				
	41,0		50 x 30	38 x 20				
	42,0		50 x 40	40 x 20				
	43,0		50 x 45	40 x 25				
45,0	60 x 15	46 x 26						
48,0	60 x 20	48 x 20						
50,0	60 x 30	50 x 20						
51,0	60 x 35	60 x 30						
57,0	60 x 40	80 x 40						
60,0	70 x 20							
63,5	70 x 25							
65,0	70 x 30							
76,0	80 x 20							
80,0	80 x 30							
	80 x 40							

Profili Tondi

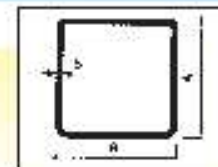


Dimensione esterna (mm)	Spessore (mm)																
	0,6	0,7	0,8	0,9	1,0	1,1	1,2	1,4	1,5	1,8	2,0	2,2	2,5	2,8	3,0	3,3	3,5
	Peso Lineare (Kg/m)																
8,0	0,109	0,126	0,142	0,158	0,173												
9,5	0,132	0,152	0,172	0,191	0,210	0,228	0,246	0,280	0,296	0,342	0,370	0,396	0,432				
10,0	0,139	0,161	0,182	0,202	0,222	0,241	0,260	0,297	0,314	0,364	0,395	0,423	0,462	0,497			
12,0	0,169	0,195	0,221	0,246	0,271	0,296	0,320	0,366	0,388	0,453	0,493	0,532	0,586	0,635	0,666		
13,0	0,183	0,212	0,241	0,269	0,296	0,323	0,349	0,401	0,425	0,497	0,543	0,586	0,647	0,704	0,740		
14,0	0,198	0,230	0,260	0,291	0,321	0,350	0,379	0,435	0,462	0,542	0,592	0,640	0,709	0,773	0,814		
15,0	0,213	0,247	0,280	0,313	0,345	0,377	0,408	0,470	0,499	0,586	0,641	0,694	0,771	0,842	0,888	0,952	
16,0	0,228	0,264	0,300	0,335	0,370	0,404	0,438	0,504	0,536	0,630	0,691	0,749	0,832	0,911	0,962	1,034	
17,0	0,243	0,281	0,320	0,357	0,395	0,431	0,468	0,539	0,573	0,675	0,740	0,803	0,894	0,981	1,036	1,115	
18,0	0,257	0,299	0,339	0,380	0,419	0,458	0,497	0,573	0,610	0,719	0,789	0,857	0,956	1,050	1,110	1,196	
19,0	0,272	0,316	0,359	0,402	0,444	0,486	0,527	0,608	0,647	0,764	0,838	0,911	1,017	1,119	1,184	1,278	
20,0	0,287	0,333	0,379	0,424	0,469	0,513	0,556	0,642	0,684	0,808	0,888	0,966	1,079	1,188	1,258	1,359	
22,0	0,317	0,368	0,418	0,468	0,518	0,567	0,616	0,711	0,758	0,897	0,986	1,074	1,202	1,326	1,406	1,522	
23,5	0,339	0,394	0,448	0,502	0,555	0,608	0,660	0,763	0,814	0,963	1,060	1,156	1,295	1,429	1,517	1,644	
24,0	0,346	0,402	0,458	0,513	0,567	0,621	0,675	0,790	0,832	0,985	1,085	1,183	1,326	1,464	1,554	1,685	
24,8	0,358	0,416	0,474	0,530	0,587	0,643	0,698	0,808	0,862	1,021	1,125	1,226	1,375	1,519	1,613	1,750	
25,0	0,361	0,419	0,477	0,535	0,592	0,648	0,704	0,815	0,869	1,030	1,134	1,237	1,387	1,533	1,628	1,766	
25,4	0,367	0,426	0,485	0,544	0,602	0,659	0,716	0,829	0,884	1,048	1,154	1,259	1,412	1,561	1,657	1,799	
26,0	0,376	0,437	0,497	0,557	0,617	0,675	0,734	0,849	0,906	1,074	1,184	1,291	1,449	1,602	1,702	1,847	
27,0	0,391	0,454	0,517	0,579	0,641	0,703	0,764	0,884	0,943	1,119	1,233	1,346	1,511	1,671	1,776	1,929	
28,0	0,405	0,471	0,537	0,601	0,666	0,730	0,793	0,918	0,980	1,163	1,282	1,400	1,572	1,740	1,850	2,010	
28,8	0,414	0,482	0,548	0,615	0,681	0,746	0,811	0,939	1,002	1,190	1,312	1,432	1,609	1,782	1,894	2,059	
30,0	0,435	0,506	0,576	0,646	0,715	0,784	0,852	0,987	1,054	1,252	1,381	1,508	1,695	1,878	1,998	2,173	
32,0	0,465	0,540	0,616	0,690	0,765	0,838	0,911	1,056	1,128	1,341	1,480	1,617	1,819	2,016	2,146	2,336	
33,0	0,479	0,558	0,635	0,712	0,789	0,865	0,941	1,091	1,165	1,385	1,529	1,671	1,880	2,085	2,220	2,417	
34,0	0,494	0,575	0,655	0,735	0,814	0,892	0,971	1,126	1,202	1,429	1,578	1,725	1,942	2,154	2,294	2,498	
35,0	0,509	0,592	0,675	0,757	0,838	0,920	1,000	1,160	1,239	1,474	1,628	1,780	2,004	2,223	2,368	2,580	
37,0	0,539	0,627	0,714	0,801	0,888	0,974	1,059	1,229	1,313	1,563	1,726	1,888	2,127	2,362	2,515	2,743	2,892
38,0			0,734	0,823	0,912	1,001	1,089	1,264	1,350	1,607	1,776	1,942	2,189	2,431	2,589	2,824	2,978
40,0			0,773	0,868	0,962	1,055	1,148	1,333	1,424	1,696	1,874	2,051	2,312	2,569	2,737	2,987	3,151
41,0				0,890	0,986	1,082	1,178	1,367	1,461	1,740	1,924	2,105	2,374	2,638	2,811	3,068	3,237
42,0				0,912	1,011	1,110	1,207	1,402	1,498	1,785	1,973	2,159	2,435	2,707	2,885	3,150	3,323
43,0				0,934	1,036	1,137	1,237	1,436	1,535	1,829	2,022	2,214	2,497	2,776	2,959	3,231	3,409
45,0				0,979	1,085	1,191	1,296	1,505	1,609	1,918	2,121	2,322	2,620	2,914	3,107	3,394	3,582
48,0				1,045	1,159	1,272	1,385	1,609	1,720	2,051	2,269	2,485	2,805	3,121	3,329	3,638	3,841
50,0				1,090	1,208	1,327	1,444	1,678	1,794	2,140	2,368	2,593	2,929	3,259	3,477	3,801	4,014
51,0				1,112	1,233	1,354	1,474	1,712	1,831	2,184	2,417	2,648	2,990	3,328	3,551	3,882	4,100
57,0				1,245	1,381	1,516	1,651	1,920	2,053	2,450	2,713	2,973	3,360	3,743	3,995	4,370	4,618
60,0				1,312	1,455	1,598	1,740	2,023	2,164	2,584	2,861	3,136	3,545	3,950	4,217	4,614	4,877
63,5				1,389	1,541	1,693	1,844	2,144	2,294	2,739	3,033	3,326	3,761	4,191	4,476	4,899	5,179
65,0				1,423	1,578	1,733	1,888	2,196	2,349	2,805	3,107	3,407	3,853	4,295	4,587	5,021	5,308
70,0				1,534	1,702	1,869	2,036	2,368	2,534	3,027	3,354	3,679	4,162	4,640	4,957	5,428	5,740
76,0					1,850	2,032	2,214	2,576	2,756	3,294	3,650	4,004	4,532	5,055	5,401	5,917	6,258
80,0					1,948	2,140	2,332	2,714	2,904	3,471	3,847	4,221	4,778	5,331	5,697	6,242	6,603
83,0					2,022	2,222	2,421	2,817	3,015	3,605	3,995	4,384	4,963	5,538	5,919	6,486	6,862

Profili Rettangolari



Dimensione esterna (mm)	Tondo Derivato (mm)	Spessore (mm)															
		0,6	0,7	0,8	0,9	1,0	1,1	1,2	1,4	1,5	1,8	2,0	2,2	2,5	2,8	3,0	
		Peso Lineare (Kg/m)															
15 x 10	16,0	0,228	0,264	0,300	0,335	0,370	0,404	0,438	0,504	0,536							
20 x 10	19,0	0,272	0,316	0,359	0,402	0,444	0,486	0,527	0,608	0,647							
20 x 15	22,0	0,317	0,368	0,418	0,468	0,518	0,567	0,616	0,711	0,758	0,807	0,966					
25 x 10	22,0	0,317	0,368	0,418	0,468	0,518	0,567	0,616	0,711	0,758	0,807	0,966					
25 x 15	25,0		0,419	0,477	0,535	0,592	0,648	0,704	0,815	0,869	1,030	1,134	1,237	1,387			
25 x 20	28,0		0,471	0,537	0,601	0,666	0,730	0,793	0,918	0,980	1,163	1,282	1,400	1,572			
30 x 10	25,0		0,419	0,477	0,535	0,592	0,648	0,704	0,815	0,869	1,030	1,134	1,237	1,387			
30 x 15	28,0		0,471	0,537	0,601	0,666	0,730	0,793	0,918	0,980	1,163	1,282	1,400	1,572	1,740		
30 x 20	32,0		0,540	0,616	0,690	0,765	0,838	0,911	1,056	1,128	1,341	1,480	1,617	1,810	2,016	2,146	
30 x 25	35,0			0,675	0,757	0,838	0,920	1,000	1,160	1,239	1,474	1,628	1,790	2,004	2,223	2,368	
34 x 15	32,0			0,616	0,690	0,765	0,838	0,911	1,056	1,128	1,341	1,480	1,617	1,810	2,016	2,146	
35 x 10	28,0			0,537	0,601	0,666	0,730	0,793	0,918	0,980	1,163	1,282	1,400	1,572	1,740	1,850	
35 x 15	32,0			0,616	0,690	0,765	0,838	0,911	1,056	1,128	1,341	1,480	1,617	1,810	2,016	2,146	
35 x 18	33,0			0,635	0,712	0,789	0,865	0,941	1,091	1,165	1,385	1,529	1,671	1,880	2,085	2,220	
35 x 20	35,0			0,675	0,757	0,838	0,920	1,000	1,160	1,239	1,474	1,628	1,790	2,004	2,223	2,368	
35 x 25	38,0			0,734	0,823	0,912	1,001	1,089	1,264	1,350	1,607	1,776	1,942	2,189	2,431	2,589	
35 x 30	42,0					1,011	1,110	1,207	1,402	1,498	1,785	1,973	2,159	2,435	2,707	2,885	
40 x 10	32,0					0,765	0,838	0,911	1,056	1,128	1,341	1,480	1,617	1,810	2,016	2,146	
40 x 15	34,0					0,814	0,892	0,971	1,128	1,202	1,429	1,578	1,725	1,942	2,154	2,294	
40 x 20	38,0					0,912	1,001	1,089	1,264	1,350	1,607	1,776	1,942	2,189	2,431	2,589	
40 x 25	40,0					0,962	1,055	1,148	1,333	1,424	1,696	1,874	2,051	2,312	2,569	2,737	
40 x 25	42,0					1,011	1,110	1,207	1,402	1,498	1,785	1,973	2,159	2,435	2,707	2,885	
40 x 30	45,0					1,085	1,191	1,296	1,505	1,609	1,918	2,121	2,322	2,620	2,914	3,107	
40 x 35	48,0					1,159	1,272	1,385	1,609	1,720	2,051	2,269	2,485	2,805	3,121	3,329	
45 x 15	38,0					0,912	1,001	1,089	1,264	1,350	1,607	1,776	1,942	2,189	2,431	2,589	
45 x 20	42,0					1,011	1,110	1,207	1,402	1,498	1,785	1,973	2,159	2,435	2,707	2,885	
45 x 25	43,0					1,036	1,137	1,237	1,436	1,535	1,829	2,022	2,214	2,497	2,776	2,959	
45 x 30	48,0					1,159	1,272	1,385	1,609	1,720	2,051	2,269	2,485	2,805	3,121	3,329	
45 x 35	50,0					1,208	1,327	1,444	1,678	1,794	2,140	2,368	2,593	2,929	3,259	3,477	
50 x 10	38,0					0,912	1,001	1,089	1,264	1,350	1,607	1,776	1,942	2,189	2,431	2,589	
50 x 15	42,0					1,011	1,110	1,207	1,402	1,498	1,785	1,973	2,159	2,435	2,707	2,885	
50 x 20	45,0					1,085	1,191	1,296	1,505	1,609	1,918	2,121	2,322	2,620	2,914	3,107	
50 x 25	48,0					1,159	1,272	1,385	1,609	1,720	2,051	2,269	2,485	2,805	3,121	3,329	
50 x 30	50,0					1,208	1,327	1,444	1,678	1,794	2,140	2,368	2,593	2,929	3,259	3,477	
50 x 40	57,0					1,381	1,516	1,651	1,920	2,053	2,450	2,713	2,973	3,360	3,743	3,995	
50 x 45	60,0					1,455	1,598	1,740	2,023	2,164	2,584	2,861	3,136	3,545	3,950	4,217	
60 x 15	48,0					1,159	1,272	1,385	1,609	1,720	2,051	2,269	2,485	2,805	3,121	3,329	
60 x 20	50,0					1,208	1,327	1,444	1,678	1,794	2,140	2,368	2,593	2,929	3,259	3,477	
60 x 30	57,0					1,381	1,516	1,651	1,920	2,053	2,450	2,713	2,973	3,360	3,743	3,995	
60 x 35	60,0					1,455	1,598	1,740	2,023	2,164	2,584	2,861	3,136	3,545	3,950	4,217	
60 x 40	63,5					1,541	1,693	1,844	2,144	2,294	2,739	3,033	3,326	3,761	4,191	4,476	
70 x 20	57,0					1,381	1,516	1,651	1,920	2,053	2,450	2,713	2,973	3,360	3,743	3,995	
70 x 25	60,0					1,455	1,598	1,740	2,023	2,164	2,584	2,861	3,136	3,545	3,950	4,217	
70 x 30	63,5								1,844	2,144	2,294	2,739	3,033	3,326	3,761	4,191	4,476
80 x 15	60,0								1,740	2,023	2,164	2,584	2,861	3,136	3,545	3,950	4,217
80 x 20	63,5								1,844	2,144	2,294	2,739	3,033	3,326	3,761	4,191	4,476
80 x 30	65,0								1,888	2,196	2,349	2,805	3,107	3,407	3,853	4,295	4,587
80 x 40	76,0								2,214	2,576	2,756	3,294	3,650	4,004	4,532	5,055	5,401

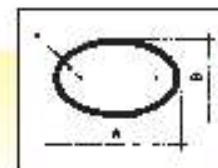


Profili Quadri

Dimensione esterna (mm)	Tondo Derivato (mm)	Spessore (mm)														
		0,6	0,7	0,8	0,9	1,0	1,1	1,2	1,4	1,5	1,8	2,0	2,2	2,5	2,8	3,0
		Peso Lineare (Kg/m)														
10 x 10	12,0	0,169	0,195	0,221	0,246	0,271	0,296	0,320	0,366	0,388						
12 x 12	15,0	0,213	0,247	0,280	0,313	0,345	0,377	0,408	0,470	0,499						
13 x 13	16,0	0,228	0,264	0,300	0,335	0,370	0,404	0,438	0,504	0,536						
14 x 14	18,0	0,257	0,299	0,339	0,380	0,419	0,458	0,497	0,573	0,610						
15 x 15	19,0	0,272	0,316	0,359	0,402	0,444	0,486	0,527	0,608	0,647	0,764	0,838				
16 x 16	20,0	0,287	0,333	0,379	0,424	0,469	0,513	0,556	0,642	0,684	0,808	0,888				
18 x 18	22,0	0,317	0,368	0,418	0,468	0,518	0,567	0,616	0,711	0,758	0,897	0,988				
20 x 20	25,0			0,477	0,535	0,592	0,648	0,704	0,815	0,869	1,030	1,134				
22 x 22	28,0			0,537	0,601	0,666	0,730	0,793	0,918	0,980	1,163	1,282				
25 x 25	32,0			0,616	0,690	0,765	0,838	0,911	1,056	1,128	1,341	1,480				
28 x 28	35,0			0,675	0,757	0,838	0,920	1,000	1,160	1,239	1,474	1,628				
30 x 30	38,0			0,734	0,823	0,912	1,001	1,089	1,264	1,350	1,607	1,776	1,942	2,180		
35 x 35	43,0					1,036	1,137	1,237	1,436	1,535	1,829	2,022	2,214	2,497	2,776	2,959
38 x 38	48,0					1,159	1,272	1,385	1,609	1,720	2,051	2,269	2,485	2,805	3,121	3,329
40 x 40	50,0					1,208	1,327	1,444	1,678	1,794	2,140	2,368	2,593	2,929	3,259	3,477
45 x 45	57,0					1,381	1,516	1,651	1,920	2,053	2,450	2,713	2,973	3,360	3,743	3,995
50 x 50	63,5					1,541	1,693	1,844	2,144	2,294	2,739	3,033	3,326	3,761	4,191	4,476
60 x 60	76,0							2,214	2,576	2,756	3,294	3,650	4,004	4,532	5,055	5,401

Profili Ottagonali

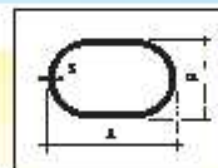
Dimensione esterna (mm)	Tondo Derivato (mm)	Spessore (mm)														
		0,6	0,7	0,8	0,9	1,0	1,1	1,2	1,4	1,5	1,8	2,0	2,2	2,5	2,8	3,0
		Peso Lineare (Kg/m)														
30 x 19	28,0		0,471	0,537	0,601	0,666	0,730	0,793	0,918	0,980	1,163	1,282				
35 x 20	32,0		0,540	0,616	0,690	0,765	0,838	0,911	1,056	1,128	1,341	1,480				



Profili Ellittici

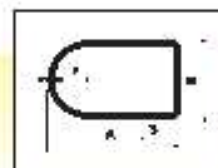
Dimensione esterna (mm)	Tondo Derivato (mm)	Spessore (mm)														
		0,6	0,7	0,8	0,9	1,0	1,1	1,2	1,4	1,5	1,8	2,0	2,2	2,5	2,8	3,0
		Peso Lineare (Kg/m)														
30 x 15	23,5	0,339	0,394	0,448	0,502	0,555	0,608	0,660	0,763	0,814	0,963	1,060				
30 x 22	26,0		0,437	0,497	0,557	0,617	0,675	0,734	0,849	0,906	1,074	1,184				
40 x 20	32,0					0,765	0,838	0,911	1,056	1,128	1,341	1,480				
50 x 25	38,0					0,912	1,001	1,089	1,264	1,350	1,607	1,776				

Profili Ovali



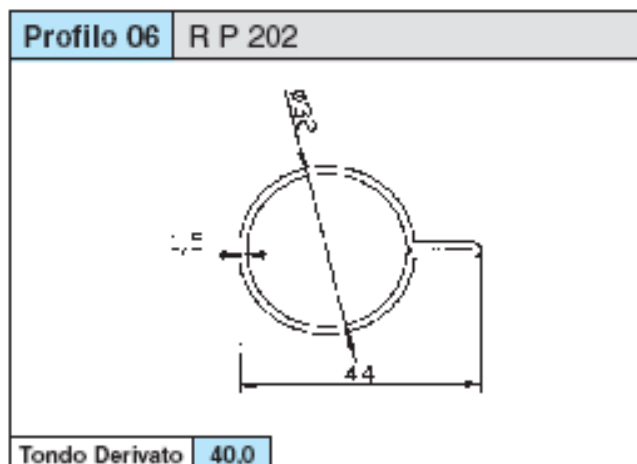
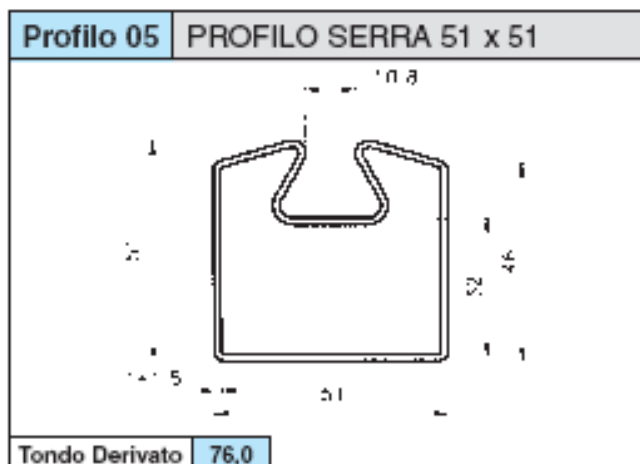
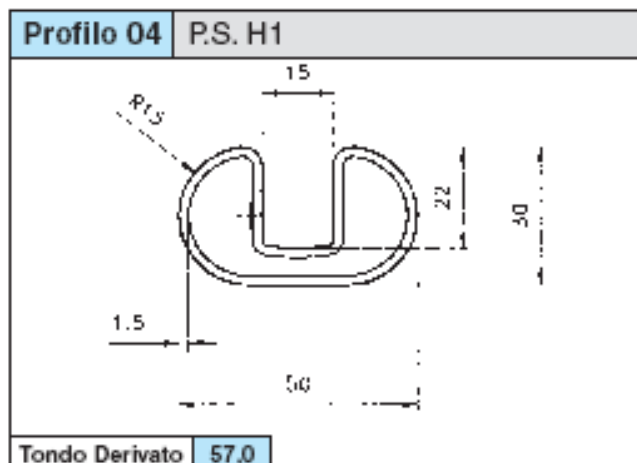
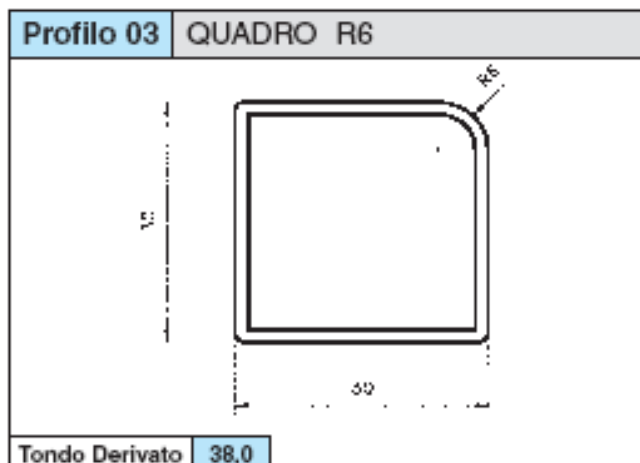
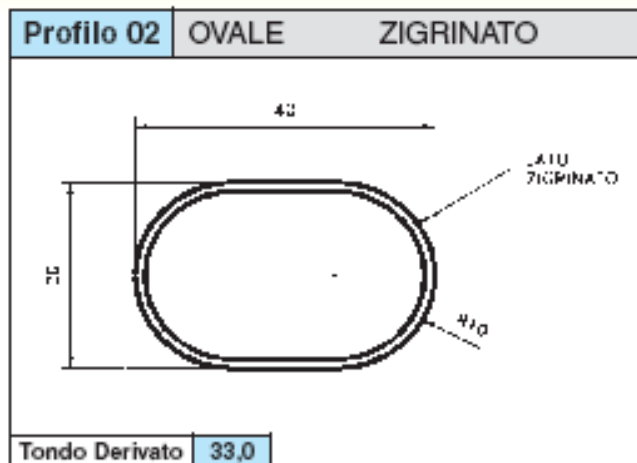
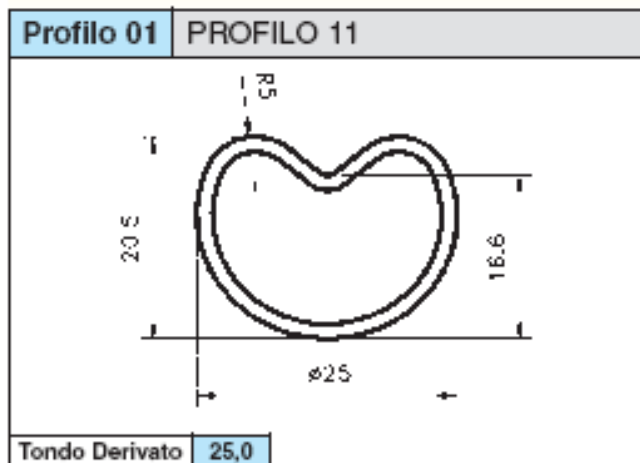
Dimensione esterna (mm)	Tondo Derivato (mm)	Spessore (mm)														
		0,6	0,7	0,8	0,9	1,0	1,1	1,2	1,4	1,5	1,8	2,0	2,2	2,5	2,8	3,0
		Peso Lineare (Kg/m)														
20 x 10	16,0			0,300	0,335	0,370	0,404	0,438	0,504	0,538						
25 x 10	20,0	0,287	0,333	0,379	0,424	0,469	0,513	0,556	0,642	0,684						
22 x 15	20,0			0,379	0,424	0,469	0,513	0,556	0,642	0,684						
25 x 15	22,0	0,317	0,368	0,418	0,468	0,518	0,567	0,616	0,711	0,758						
30 x 15	25,0	0,361	0,419	0,477	0,535	0,592	0,648	0,704	0,815	0,869	1,030	1,134				
30 x 20	26,0		0,437	0,497	0,557	0,617	0,675	0,734	0,849	0,906	1,074	1,184				
35 x 15	28,0		0,471	0,537	0,601	0,666	0,730	0,793	0,918	0,980	1,163	1,282				
36 x 18	30,0		0,506	0,576	0,646	0,715	0,784	0,852	0,987	1,054	1,252	1,381	1,508			
35 x 20	30,0			0,576	0,646	0,715	0,784	0,852	0,987	1,054	1,252	1,381	1,508	1,695		
38 x 20	32,0			0,616	0,690	0,765	0,838	0,911	1,056	1,128	1,341	1,480	1,617	1,819		
40 x 20	33,0			0,635	0,712	0,789	0,865	0,941	1,091	1,165	1,385	1,529	1,671	1,880	2,085	
40 x 20	32,0			0,616	0,690	0,765	0,838	0,911	1,056	1,128	1,341	1,480	1,617	1,819	2,016	
40 x 25	35,0			0,675	0,757	0,838	0,920	1,000	1,160	1,239	1,474	1,628	1,780	2,004	2,223	2,368
46 x 26	38,0					0,912	1,001	1,089	1,264	1,350	1,607	1,776	1,942	2,189	2,431	2,589
48 x 20	38,0					0,912	1,001	1,089	1,264	1,350	1,607	1,776	1,942	2,189	2,431	2,589
50 x 30	43,0					1,036	1,137	1,237	1,436	1,535	1,829	2,022	2,214	2,497	2,776	2,959
60 x 30	50,0					1,208	1,327	1,444	1,678	1,794	2,140	2,368	2,593	2,929	3,259	3,477
80 x 40	65,0					1,578	1,733	1,888	2,196	2,349	2,805	3,107	3,407	3,853	4,295	4,587

Profili Semiovali

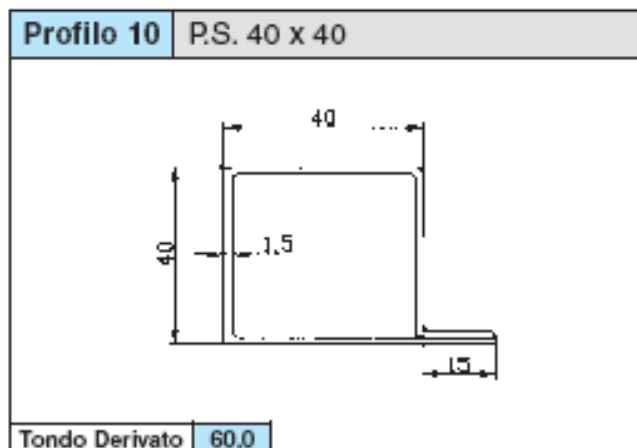
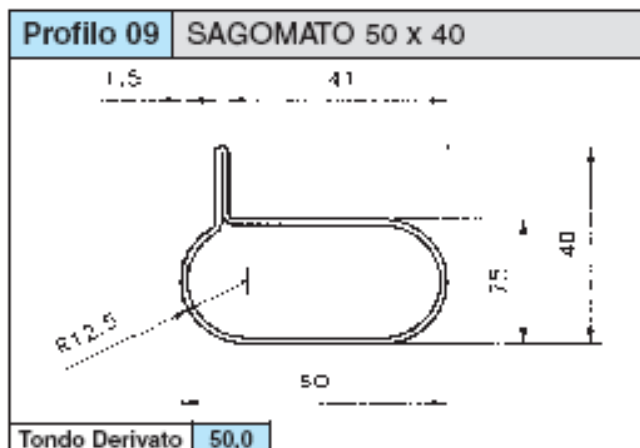
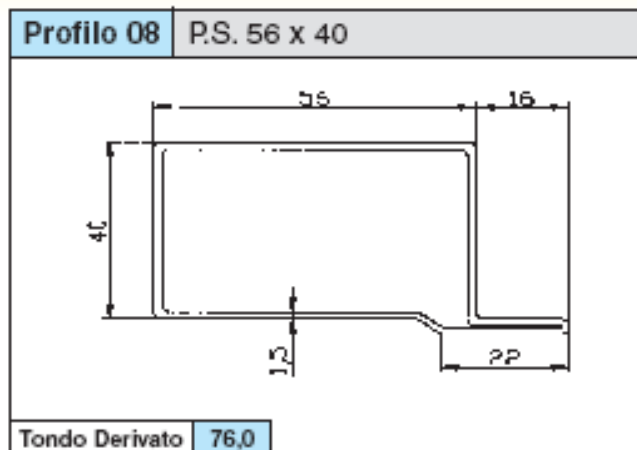
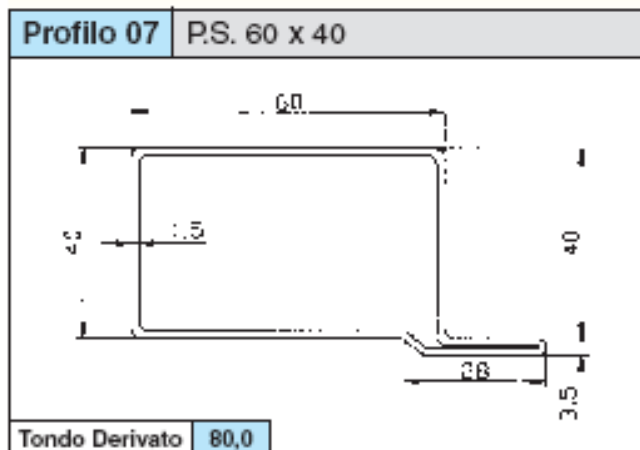


Dimensione esterna (mm)	Tondo Derivato (mm)	Spessore (mm)														
		0,6	0,7	0,8	0,9	1,0	1,1	1,2	1,4	1,5	1,8	2,0	2,2	2,5	2,8	3,0
		Peso Lineare (Kg/m)														
40 x 20	35,0					0,838	0,920	1,000	1,160	1,239	1,474	1,628				
40 x 25	38,0					0,912	1,001	1,089	1,264	1,350	1,607	1,776	1,942			
40 x 30	40,0					0,962	1,055	1,148	1,333	1,424	1,696	1,874	2,051	2,312		
48 x 35	45,0					1,085	1,191	1,296	1,505	1,609	1,918	2,121	2,322	2,620	2,914	
50 x 25	45,0					1,085	1,191	1,296	1,505	1,609	1,918	2,121	2,322	2,620	2,914	3,107

Profili Speciali



Profili Speciali





dati esposti catalogo sono da ritenersi parte integrante delle ns. condizioni generali di vendita.
I dati tecnici possono essere modificati dal Tubificio del Friuli s.r.l. senza nessuna comunicazione preventiva.
Tubificio del Friuli s.r.l. declina ogni responsabilità per l'eventuale inesattezza dell'interpretazione dei dati tecnici da parte dello ns. rispetabile clientela.

All data shown in the catalogue are integrant with our general sales terms.
Tubificio del Friuli s.r.l. reserves the right to modify any technical data without prior notice.
Tubificio del Friuli s.r.l. declines all responsibility for possible customers' incorrect interpretation of technical data.

Die im Katalog angegebenen Daten sind als wesentlicher Bestandteil unserer allgemeinen Verkaufsbedingungen zu betrachten.
Die technischen Daten können von der Firma Tubificio del Friuli s.r.l. ohne vorherige Ankündigung abgeändert werden.
Die Firma Tubificio del Friuli s.r.l. lehnt jede Verantwortung für eine eventual seitens unserer Kundschaft falsche Auslegung der technischen Daten ab.

Les paramètres indiqués sont inclus dans les termes de conditions commerciales.
Les caractéristiques techniques peuvent être modifiées inconditionnellement de la part de Tubificio del Friuli s.r.l.
La société Tubificio del Friuli s.r.l. déclare la responsabilité pour toutes mauvaises interprétation des caractéristiques techniques de la part des clients.

Tubificio del Friuli s.r.l.

Sede Legale e Stabilimento:

Via J. Linussio, 19 - 33050 RIVIGNANO (UD)

Tel. 0432.772511 - Fax 0432.773956

E-mail: information@tubificiodelfriuli.com

*Società soggetta all'attività di direzione e coordinamento
della Paglianti Tubi Srl con sede in Casier (TV)*

Sede Amministrativa:

Via IV Novembre, 6 - 31030 DOSSON DI CASIER (TV)

Tel. 0422.490323 (4 linee r.a.) - Fax 0422.382196

Capitale Sociale Euro 1.500.000,00 i.v.

Codice Fiscale e Partita IVA 02255240307